

Universal Mounting Flange

A simple solution to mounting probes into thin walled metal and plastic ducts and stacks.



Features

- Can be fitted to round or rectangular ducts
- Can be fitted to any diameter of round duct from 200mm upwards
- No welding is required
- Can be fitted to metal or plastic ducts and stacks
- All stainless steel construction
- Allows easy removal of probes for inspection purposes

When Pitot Tubes and sample probes need to be inserted into thin walled ducts and stacks, it is very often difficult to fit a mating flange or threaded boss, into which the probe can be mounted. The design of the Lab Impex Universal Mounting Flange overcomes potential problems associated with welding or suitable screw cutting into thin materials. Another benefit of this mounting arrangement, is that the same mounting flange can not only fit square or round ducts but can also be fitted to a universal range of duct diameters.

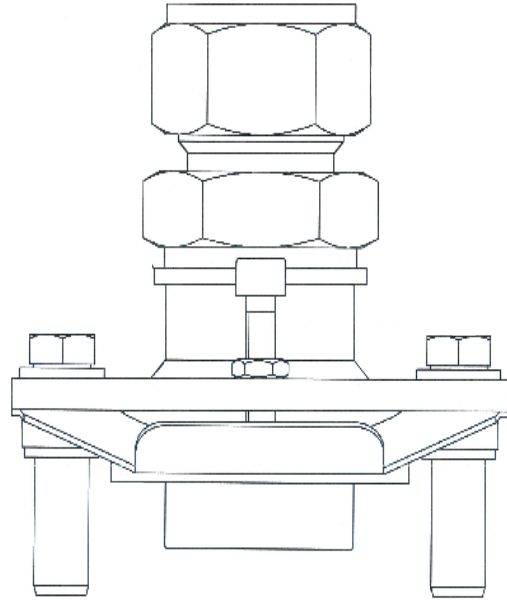
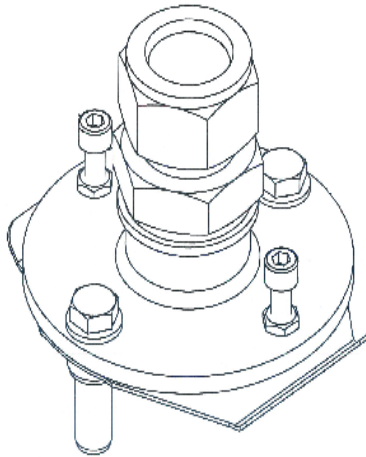
Applications

The Universal Mounting Flange is bolted onto the duct by means of 'hank bushes' this elevates any need to perform welding or supply duct sections with fitted threaded bosses etc. The 'hank bush' provides a simple solution to the problems associated with producing a deep tapped hole in thin duct walls. The only requirement is for three holes to be drilled into the duct, one large hole to accommodate the Pitot Tube or sample/return probe and two small holes for the hank bushes.

The Universal Mounting Flange incorporates a spring plate which allows the unit to be fitted to any round duct from a minimum diameter of 200mm upwards. If the Universal Mounting Flange is to be mounted onto a square or rectangular duct the spring plate is simply removed.

The Universal Mounting Plate comes complete with a locking gland which allows easy and simple positioning of the sample probe or the correct insertion depth of the Pitot Tube.

This design also allows easy removal of the fitted probes for routine inspection and cleaning if required.



Part Number	To be used with:-
0204/085	Pitot Tubes
0209/045	PET Sample/Return Probe Assy.
0209/045	Isokinetic Sample Probe
0209/045	Particulate Sample Return Probe
0209/006	Shrouded Probe with 25mm transport line

L502A

The board used for print is 80% recycled paper and 20% virgin pulp from sustainable forests. Lamination is fully biodegradable.

Lab Impex Systems Ltd
 Impex House, 21 Harwell Road,
 Nuffield Industrial Estate, Poole,
 Dorset, BH17 0GE, UK

T +44 (0) 1202 68 48 48
 F +44 (0) 1202 68 35 71
 E info@labimpex.com

Lab Impex Systems Inc
 Suite 100, 106 Union Valley Road,
 Oak Ridge, TN 37830

T 1-865-483-2600
 F 1-865-381-1654



Reg No. 1347646 England. VAT No. 619 9597 76

www.labimpex.com